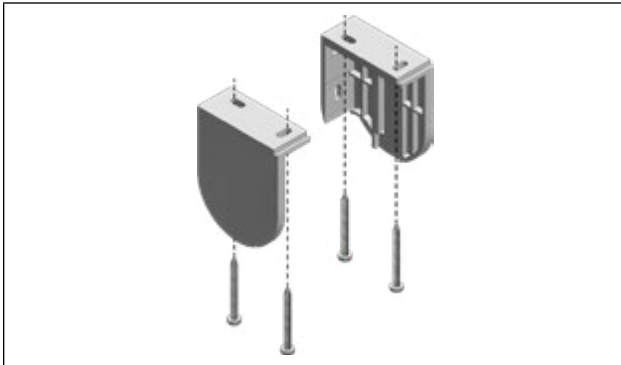
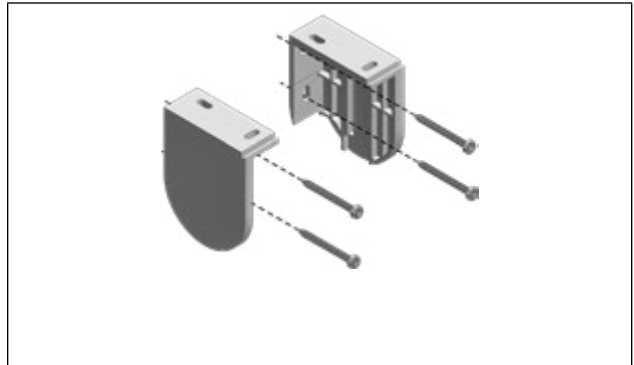


1 INSTALL MOUNTING BRACKETS

STEP 2A: CEILING MOUNT

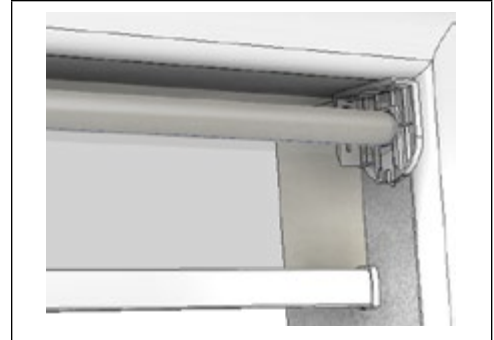
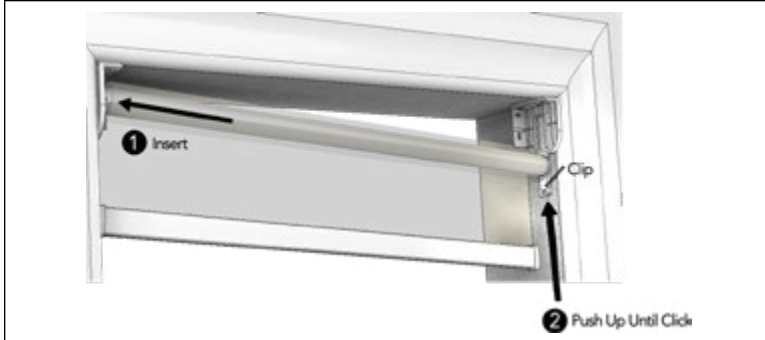


STEP 2B: WALL MOUNT



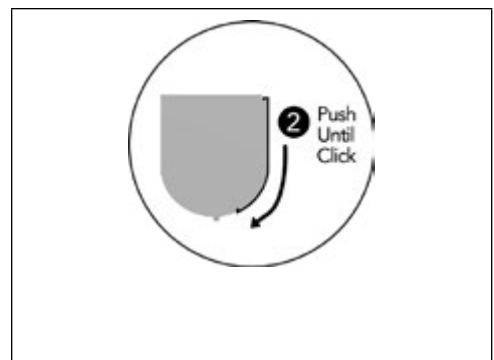
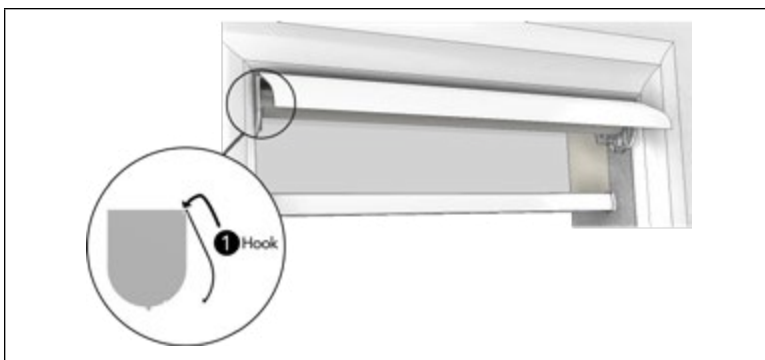
2 INSTALL THE SHADE

Insert the shade into the left mounting bracket. The clip will be attached to the right side of the shade. With the clip in the down position, slowly insert the clip into the right mounting bracket.



3 INSTALL THE FASCIA COVER

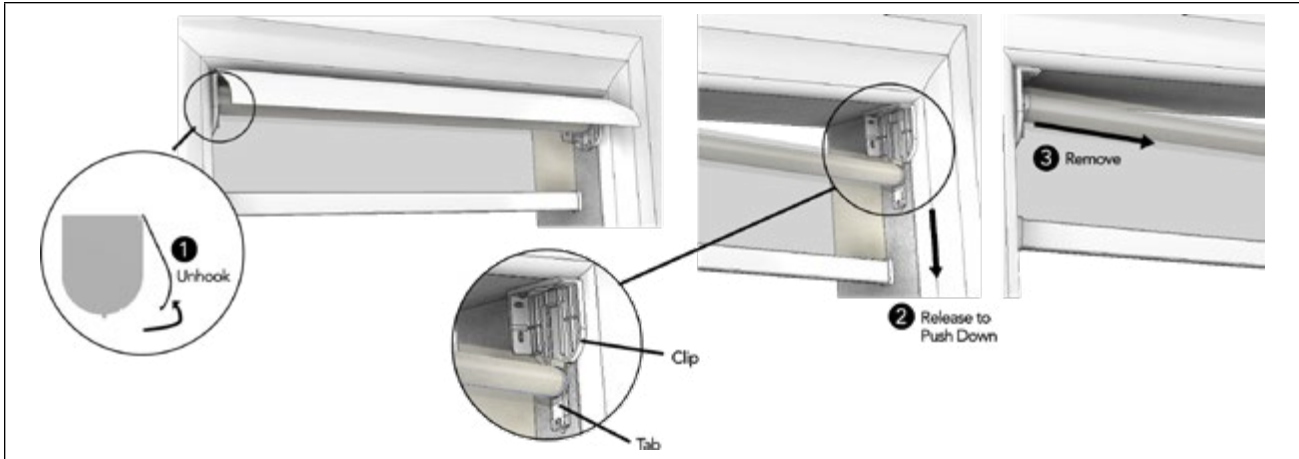
Hook the Fascia cover onto the top of each mounting bracket, and push forward until the Fascia cover engages at the bottom of each mounting bracket.



4 TAKE THE SHADE DOWN

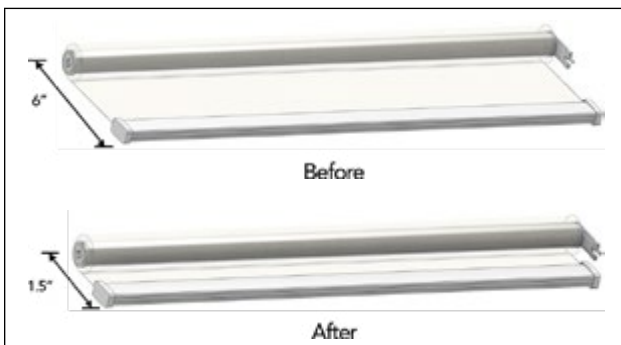
(ENSURE UPPER LIMIT HAS BEEN REACHED)

Remove the Fascia cover from the mounting brackets by pulling from the bottom and lifting up. Push the tab on the clip to the left to release, and pull the clip from the right side of the bracket. The shade can now be removed.



5 ROTATE SHADE TO SET NEW LIMIT

Roll the shade by hand to a new upper limit. Insert the shade into the left mounting bracket. With the clip in the down position, slowly insert the clip into the right mounting bracket. Make sure the shade is in the locked position (refer to step 2).



6 REINSTALL FASCIA COVER

(See step 3)